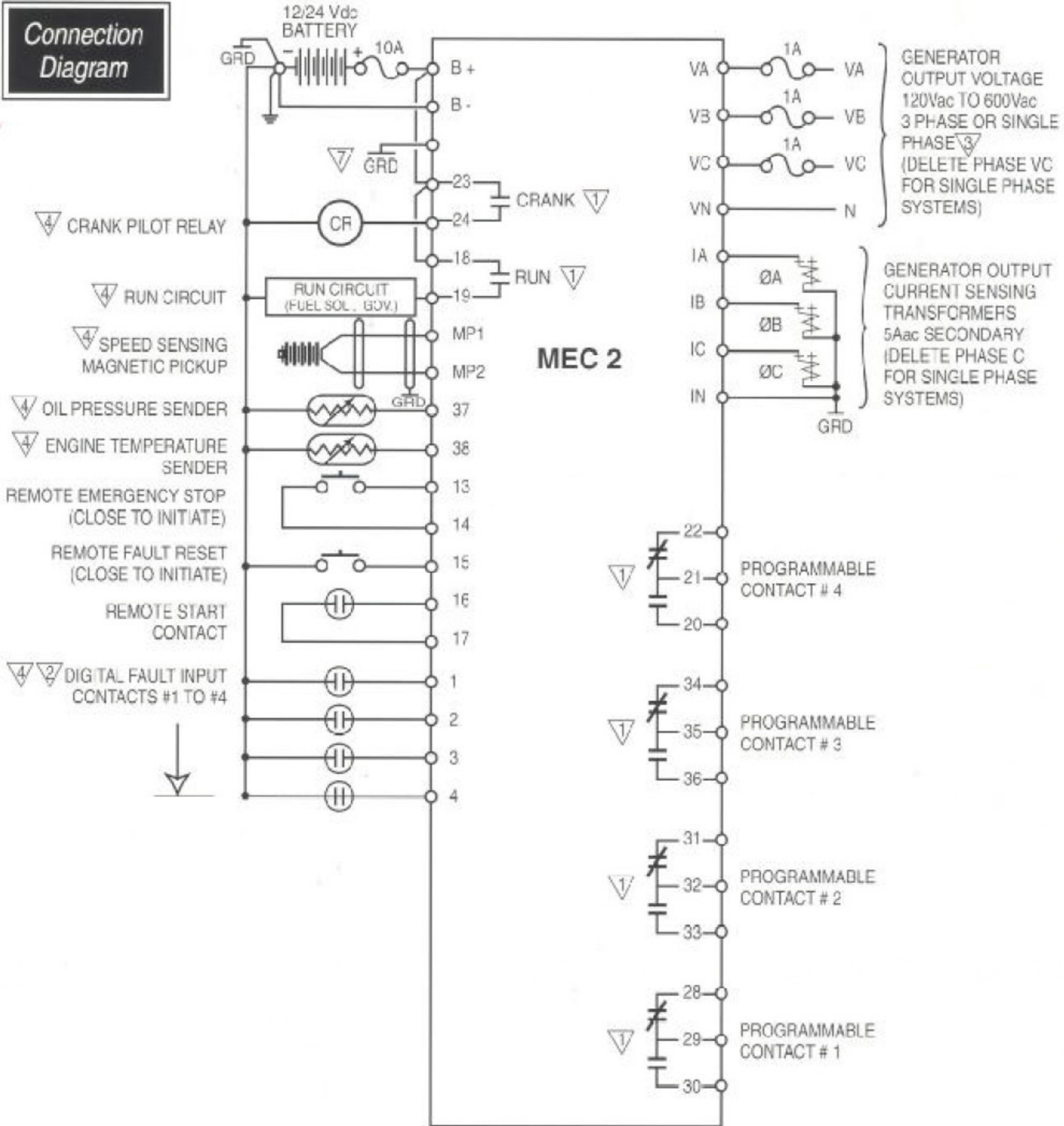


Connection Diagram



NOTES:

- 1 CONTACTS RATED MAXIMUM 10A/240Vac, 8A/24Vdc RESISTIVE
- 2 LOGIC IS SOFTWARE PROGRAMMABLE FOR OPEN OR CLOSE ON FAIL
- 3 GENERATOR SUPPLY MUST UTILIZE A SOLIDLY GROUNDING NEUTRAL SYSTEM—REFER TO INSTRUCTION MANUAL FOR ALTERNATE CONNECTIONS
- 4 ENGINE MOUNTED COMPONENTS
- 5 'GRD' CONNECTION TO BE MADE TO COMMON CHASSIS/ENCLOSURE GROUND BOND SYSTEM

NOTE: Specifications subject to change without notice.