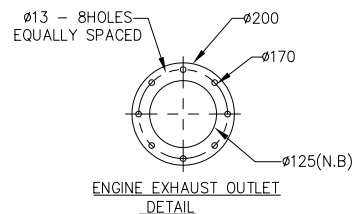
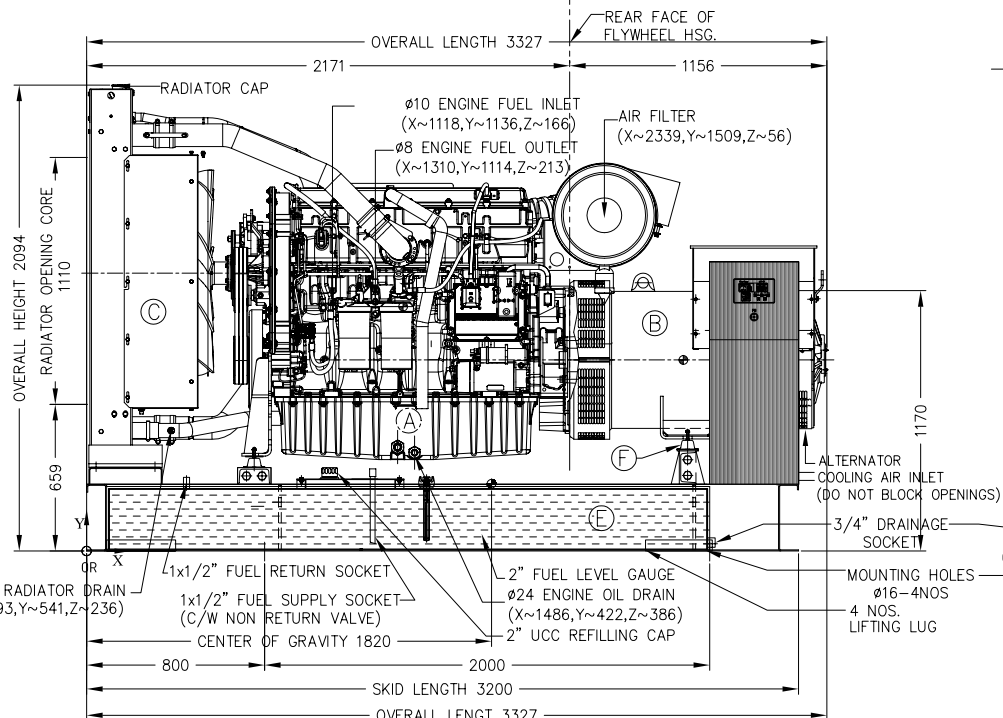


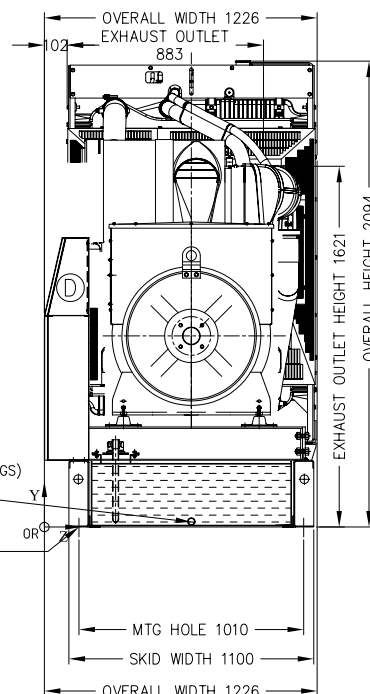
TOP VIEW



ENGINE EXHAUST OUTLET DETAIL



SIDE VIEW



REAR VIEW

SYM	DESCRIPTION	QTY
A	PERKINS 2506A-E15TAG2	1
B	LEROY SOMER LSA47.2M7	1
C	RADIATOR	1
D	GENSET CONTROL PANEL	1
E	650 LIT. FUEL SKIDBASE TANK	1
F	ANTI VIBRATION MOUNT	4

WET WEIGHT : 4150 KG

FEATURES

1. 650 LITRES FUEL CAPACITY
2. MECHANICAL LEVEL GAUGE
3. 2" FUEL REFILLING WITH CAP
4. 4 POINTS LIFTING LUG
5. 1/2" SOCKET FOR FUEL SUPPLY AND RETURN

OPTIONAL ITEMS

1. FUEL LOW LEVEL SWITCH
2. ANTI VIBRATION MOUNT
3. MANUAL HAND PUMP FOR OIL DRAIN
4. ENGINE OIL DRIP TRAY
5. BATTERY RACK
6. MCCB PANEL
7. RADIATOR WATER LOW LEVEL SWITCH

ENGINE SERVICE CONNECTIONS

- Ø24MM-ENGINE OIL DRAIN
- Ø15MM N.B (1/2"BSPT) RADIATOR WATER DRAIN
- EXHAUST OUTLET-SEE DETAIL

**DO NOT SCALE
IF IN DOUBT ASK**



NO.11 TUAS AVE 16 SINGAPORE 638929
TEL : (65) 6268 2322 FAX : (65) 6262 2922

Project	-			
Work order	-			
Dwg No.	VP500PE-LS-SM-BT-IB			
Drawn	KARTHIK	Date	06/08/12	Rev.
Checked	GR	Date	06/08/12	00
Approved	GILBERT	Date	06/08/12	Qty
Scale	NTS	Sheet	1 of 1	01

GENERAL ARRANGEMENT OF 500kVA
GENERATOR SET WITH BASETANK

Rev.	Description	Date

ALL DESIGNS PRINTS AND SPECIFICATIONS ARE THE PROPERTY OF VIBROPOWER. THE DRAWING IS SUPPLIED FOR THE PURPOSE OF RECORD ONLY. IT IS TO BE TREATED AS PRIVATE AND CONFIDENTIAL. IT IS NOT TO BE COPIED OR COMMUNICATION TO ANY OTHERS PERSON WITHOUT RECEIPT OF WRITTEN PERMISSION FROM VIBROPOWER.

All dimension in mm unless otherwise stated Plotting Scale : NTS